

Liquid-tight Flexible Conduit Connector



B2101



L2101



N2101

Features

UL/cULus Listed – File No. E136208

- Malleable iron, ductile cast iron or steel, zinc plated.
- For liquid-tight flexible metal conduit.
- According to NEC 350.6, LFMC and associated fittings shall be listed.

Applicable to dangerous areas Class 1 Division 2, Class 2 Division 1,2, and Class 3 Division 1,2.

Standards:

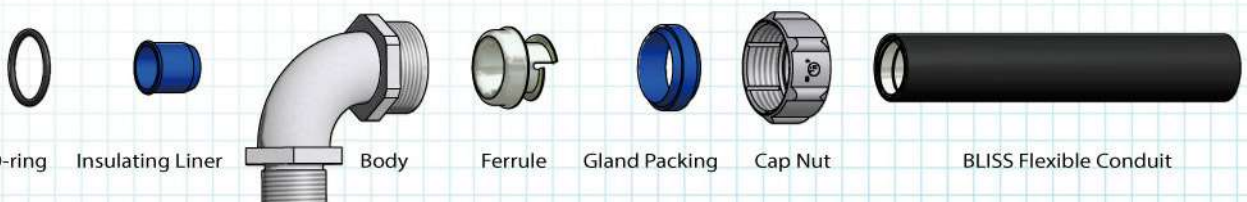
1. UL 514B
2. CSA C22.2 No. 18.3/NMX-J-017-ANCE
3. ANSI/NEMA FB1
4. ANSI/NFPA 70 NEC article 350



Locknut O-ring Insulating Liner Body Ferrule Gland Packing Cap Nut BLISS Flexible Conduit

B2101 Assembly Illustration:

Locknut + O-ring + Insulating Liner + Body + Ferrule + Gland Packing + Cap Nut + BLISS Flexible Conduit

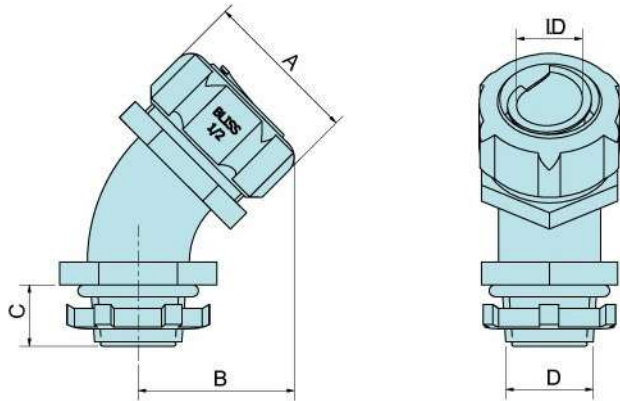


O-ring Insulating Liner Body Ferrule Gland Packing Cap Nut BLISS Flexible Conduit

L2141/L2161 Assembly Illustration:

O-ring + Insulating Liner + Body + Ferrule + Gland Packing + Cap Nut + BLISS Flexible Conduit

45° Liquid-tight Flexible Conduit Connector



N2101

■ NPT thread

Thread	Trade Size (inch)	Catalog Number	Dimension (mm)					Standard Packing (pcs)
			I.D.	A	B	C	D	
NPT 1/2	3/8"	N21010300	11.5	29.0	31.0	14.5	21.0	50
NPT 1/2	1/2"	N21010400	14.5	34.5	32.0	14.5	21.0	50
NPT 3/4	3/4"	N21010600	19.5	41.5	37.0	16.0	26.4	25
NPT 1	1"	N21011000	25.0	46.0	46.5	19.5	33.3	25
NPT 1-1/4	1-1/4"	N21011200	33.5	55.5	53.0	20.5	41.9	15
NPT 1-1/2	1-1/2"	N21011400	38.5	63.2	60.0	24.5	47.8	10
NPT 2	2"	N21012000	49.5	76.0	75.0	27.0	59.6	5
NPT 2-1/2	2-1/2"	N21012400	60.0	99.2	105.0	36.5	72.7	1
NPT 3	3"	N21013000	75.0	118.3	120.0	38.0	88.6	1
NPT 4	4"	N21014000	97.0	145.3	140.0	41.0	114.0	1



N2141

■ Metric thread
■ Order locknut separately

Thread	Trade Size (inch)	Catalog Number	Dimension (mm)					Standard Packing (pcs)
			I.D.	A	B	C	D	
M16x1.5	3/8"	N21410316**	11.5	29.0	31.0	12.5	16.0	50
M20x1.5	3/8"	N21410320	11.5	29.0	31.0	14.5	20.0	50
M20x1.5	1/2"	N21410420	14.5	34.5	32.0	14.5	20.0	50
M25x1.5	3/4"	N21410625	19.5	41.5	37.0	16.0	25.0	25
M32x1.5	1"	N21411032	25.0	46.0	46.5	19.5	32.0	25
M40x1.5	1-1/4"	N21411240	33.5	55.5	53.0	20.5	40.0	15
M50x1.5	1-1/2"	N21411450	38.5	63.2	60.0	24.5	50.0	10
M63x1.5	2"	N21412063	49.5	76.0	75.0	27.0	63.0	5

** No insulating liner



N2161

■ PG thread
■ Order locknut separately

Thread	Trade Size (inch)	Catalog Number	Dimension (mm)					Standard Packing (pcs)
			I.D.	A	B	C	D	
PG9	3/8"	N21610309**	11.5	29.0	31.0	12.5	15.2	50
PG11	3/8"	N21610311	11.5	29.0	31.0	14.5	18.6	50
PG13.5	3/8"	N21610313	11.5	29.0	31.0	14.5	20.4	50
PG13.5	1/2"	N21610413	14.5	34.5	32.0	14.5	20.4	50
PG16	1/2"	N21610416	14.5	34.5	32.0	14.5	22.5	50
PG21	3/4"	N21610621	19.5	41.5	37.0	16.0	28.3	25
PG29	1"	N21611029	25.0	46.0	46.5	19.5	37.0	25
PG36	1-1/4"	N21611236	33.5	55.5	53.0	20.5	47.0	15
PG42	1-1/2"	N21611442	38.5	63.2	60.0	24.5	54.0	10
PG48	2"	N21612048	49.5	76.0	75.0	27.0	59.3	5

** No insulating liner