

Liquid-tight Flexible Conduit Connector


B2101

L2101

N2101

Features

UL/cULus Listed – File No. E136208

- Malleable iron, ductile cast iron or steel, zinc plated.
- For liquid-tight flexible metal conduit.
- According to NEC 350.6, LFMC and associated fittings shall be listed.

Applicable to dangerous areas Class 1 Division 2, Class 2 Division 1,2, and Class 3 Division 1,2.

Standards:

1. UL 514B
2. CSA C22.2 No. 18.3/NMX-J-017-ANCE
3. ANSI/NEMA FB1
4. ANSI/NFPA 70 NEC article 350



Locknut



O-ring



Insulating Liner



Body



Ferrule



Gland Packing



Cap Nut



BLISS Flexible Conduit

B2101 Assembly Illustration:

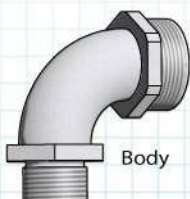
Locknut + O-ring + Insulating Liner + Body + Ferrule + Gland Packing + Cap Nut + BLISS Flexible Conduit



O-ring



Insulating Liner



Body



Ferrule



Gland Packing



Cap Nut



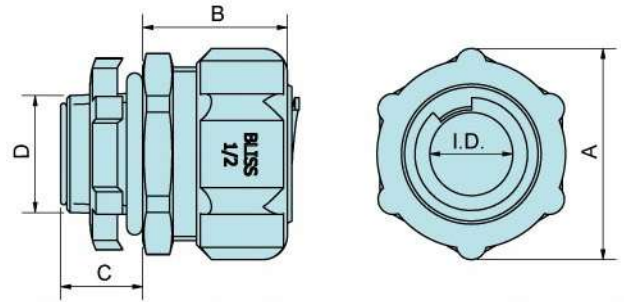
BLISS Flexible Conduit

L2141/L2161 Assembly Illustration:

O-ring + Insulating Liner + Body + Ferrule + Gland Packing + Cap Nut + BLISS Flexible Conduit



Straight Liquid-tight Flexible Conduit Connector



B2101

- NPT thread
- PT Thread available, type B2111, sizes: 2-1/2"~4"

Thread	Trade Size (inch)	Catalog Number	Dimension (mm)					Standard Packing (pcs)
			I.D.	A	B	C	D	
NPT 1/2	3/8"	B21010300	11.5	29.0	22.5	14.5	21.0	100
NPT 1/2	1/2"	B21010400	14.5	34.5	22.5	14.5	21.0	100
NPT 3/4	3/4"	B21010600	19.5	41.5	28.0	16.0	26.4	50
NPT 1	1"	B21011000	25.0	46.0	31.5	19.5	33.3	50
NPT 1-1/4	1-1/4"	B21011200	33.5	55.5	34.0	20.5	41.9	25
NPT 1-1/2	1-1/2"	B21011400	38.5	63.2	36.5	24.5	47.8	20
NPT 2	2"	B21012000	49.5	76.0	44.5	27.0	59.6	10
NPT 2-1/2	2-1/2"	B21012400	60.0	99.2	58.5	36.5	72.7	1
PT 2-1/2	2-1/2"	B21112400 *	60.0	99.2	58.5	36.5	75.2	1
NPT 3	3"	B21013000	75.0	118.3	60.5	38.0	88.6	1
PT 3	3"	B21113000 *	75.0	118.3	60.5	38.0	87.9	1
NPT 4	4"	B21014000	97.0	145.3	58.0	41.0	114.0	1
PT 4	4"	B21114000 *	97.0	145.3	58.0	41.0	113.0	1

*Not UL listed



B2141

- Metric thread
- Order locknut separately

Thread	Trade Size (inch)	Catalog Number	Dimension (mm)					Standard Packing (pcs)
			I.D.	A	B	C	D	
M16 x 1.5	3/8"	B21410316**	11.5	29.0	22.5	12.5	16.0	50
M20 x 1.5	3/8"	B21410320	11.5	29.0	22.5	14.5	20.0	50
M20 x 1.5	1/2"	B21410420	14.5	34.5	22.5	14.5	20.0	50
M25 x 1.5	3/4"	B21410625	19.5	41.5	28.0	16.0	25.0	50
M32 x 1.5	1"	B21411032	25.0	46.0	31.5	19.5	32.0	50
M40 x 1.5	1-1/4"	B21411240	33.5	55.5	34.0	20.5	40.0	25
M50 x 1.5	1-1/2"	B21411450	38.5	63.2	36.5	24.5	50.0	20
M63 x 1.5	2"	B21412063	49.5	76.0	44.5	27.0	63.0	10

** No insulating liner



B2161

- PG thread
- Order locknut separately

Thread	Trade Size (inch)	Catalog Number	Dimension (mm)					Standard Packing (pcs)
			I.D.	A	B	C	D	
PG9	3/8"	B21610309**	11.5	29.0	22.5	8.5	15.2	50
PG11	3/8"	B21610311	11.5	29.0	22.5	10.5	18.6	50
PG13.5	3/8"	B21610313	11.5	29.0	22.5	10.5	20.4	50
PG16	3/8"	B21610316	11.5	29.0	22.5	10.5	22.5	50
PG13.5	1/2"	B21610413	14.5	34.5	22.5	14.5	20.4	50
PG16	1/2"	B21610416	14.5	34.5	22.5	14.5	22.5	50
PG21	3/4"	B21610621	19.5	41.5	28.0	16.0	28.3	50
PG29	1"	B21611029	25.0	46.0	31.5	19.5	37.0	50
PG36	1-1/4"	B21611236	33.5	55.5	34.0	20.5	47.0	25
PG42	1-1/2"	B21611442	38.5	63.2	36.5	24.5	54.0	20
PG48	2"	B21612048	49.5	76.0	44.5	27.0	59.3	10

** No insulating liner