

防水接頭



B2101



L2101



N2101

產品特性 Features

UL/cULus 認證 - 檔案編號 E136208

- 展性鑄鐵 (MALLEABLE IRON)、延性鑄鐵 (DUCTILE CAST IRON) 或鐵 (STEEL) 製成，表面電鍍鋅
- 適用於防水型金屬軟管。
- 依據 NEC 350.6，本接頭應與同為 UL 認證之軟管配合，可使用於 Class 1 Division 2、Class 2 Division 1,2、Class 3 Division 1,2 之危險等級區域。

適用標準：

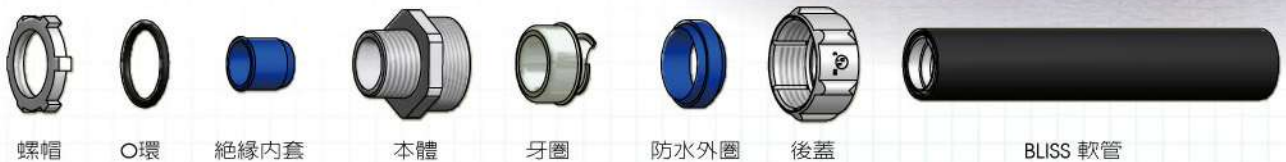
1. UL 514B
2. CSA C22.2 No. 18.3/NMX-J-017-ANCE
3. ANSI/NEMA FB1
4. ANSI/NFPA 70 NEC article 350

注意事項：

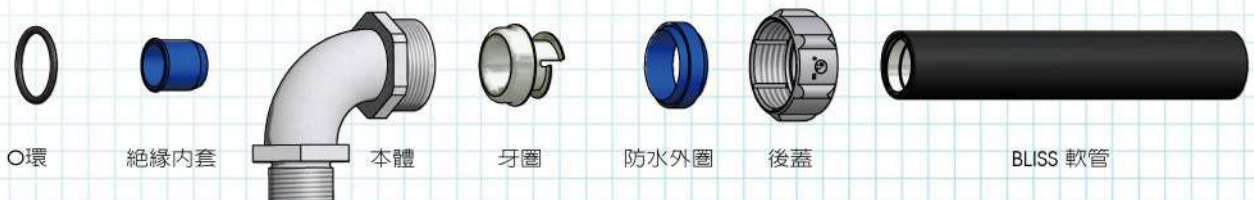
- 根據 NEC 350.6 規定「UL 認證之軟管必須使用同為 UL 認證之終端接頭」，才能達到使用之目的及效果。
- UL 認證之接頭需經額定電流及絕緣、電阻與防水、老化、抗拉等測試（如本公司之 UL/cULus 認證接頭）。



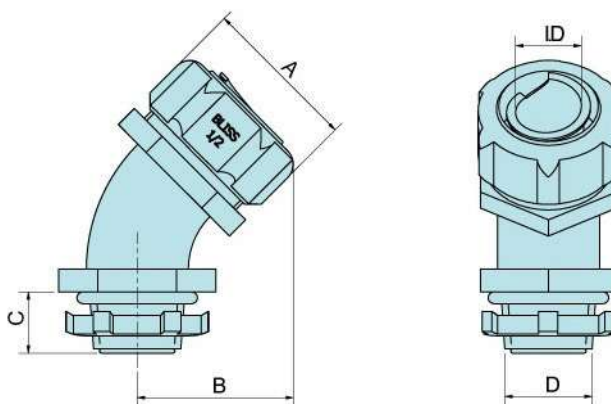
B2101接頭暨軟管組裝圖例：



L2141/L2161接頭暨軟管組裝圖例：



45° 防水彎接頭



N2101

■ NPT牙。

| 牙制 | 規格 (inch) | 品號 | 尺寸 (mm) | | | | | 包裝 (pcs) |
|-----------|-----------|-----------|---------|-------|-------|------|-------|----------|
| | | | I.D. | A | B | C | D | |
| NPT 1/2 | 3/8" | N21010300 | 11.5 | 29.0 | 31.0 | 14.5 | 21.0 | 50 |
| NPT 1/2 | 1/2" | N21010400 | 14.5 | 34.5 | 32.0 | 14.5 | 21.0 | 50 |
| NPT 3/4 | 3/4" | N21010600 | 19.5 | 41.5 | 37.0 | 16.0 | 26.4 | 25 |
| NPT 1 | 1" | N21011000 | 25.0 | 46.0 | 46.5 | 19.5 | 33.3 | 25 |
| NPT 1-1/4 | 1-1/4" | N21011200 | 33.5 | 55.5 | 53.0 | 20.5 | 41.9 | 15 |
| NPT 1-1/2 | 1-1/2" | N21011400 | 38.5 | 63.2 | 60.0 | 24.5 | 47.8 | 10 |
| NPT 2 | 2" | N21012000 | 49.5 | 76.0 | 75.0 | 27.0 | 59.6 | 5 |
| NPT 2-1/2 | 2-1/2" | N21012400 | 60.0 | 99.2 | 105.0 | 36.5 | 72.7 | 1 |
| NPT 3 | 3" | N21013000 | 75.0 | 118.3 | 120.0 | 38.0 | 88.6 | 1 |
| NPT 4 | 4" | N21014000 | 97.0 | 145.3 | 140.0 | 41.0 | 114.0 | 1 |



N2141

■ Metric牙。
■ 螺帽可選購。

| 牙制 | 規格 (inch) | 品號 | 尺寸 (mm) | | | | | 包裝 (pcs) |
|---------|-----------|-------------|---------|------|------|------|------|----------|
| | | | I.D. | A | B | C | D | |
| M16x1.5 | 3/8" | N21410316** | 11.5 | 29.0 | 31.0 | 12.5 | 16.0 | 50 |
| M20x1.5 | 3/8" | N21410320 | 11.5 | 29.0 | 31.0 | 14.5 | 20.0 | 50 |
| M20x1.5 | 1/2" | N21410420 | 14.5 | 34.5 | 32.0 | 14.5 | 20.0 | 50 |
| M25x1.5 | 3/4" | N21410625 | 19.5 | 41.5 | 37.0 | 16.0 | 25.0 | 25 |
| M32x1.5 | 1" | N21411032 | 25.0 | 46.0 | 46.5 | 19.5 | 32.0 | 25 |
| M40x1.5 | 1-1/4" | N21411240 | 33.5 | 55.5 | 53.0 | 20.5 | 40.0 | 15 |
| M50x1.5 | 1-1/2" | N21411450 | 38.5 | 63.2 | 60.0 | 24.5 | 50.0 | 10 |
| M63x1.5 | 2" | N21412063 | 49.5 | 76.0 | 75.0 | 27.0 | 63.0 | 5 |

**不含絕緣內套



N2161

■ PG牙。
■ 螺帽可選購。

| 牙制 | 規格 (inch) | 品號 | 尺寸 (mm) | | | | | 包裝 (pcs) |
|--------|-----------|-------------|---------|------|------|------|------|----------|
| | | | I.D. | A | B | C | D | |
| PG9 | 3/8" | N21610309** | 11.5 | 29.0 | 31.0 | 12.5 | 15.2 | 50 |
| PG11 | 3/8" | N21610311 | 11.5 | 29.0 | 31.0 | 14.5 | 18.6 | 50 |
| PG13.5 | 3/8" | N21610313 | 11.5 | 29.0 | 31.0 | 14.5 | 20.4 | 50 |
| PG13.5 | 1/2" | N21610413 | 14.5 | 34.5 | 32.0 | 14.5 | 20.4 | 50 |
| PG16 | 1/2" | N21610416 | 14.5 | 34.5 | 32.0 | 14.5 | 22.5 | 50 |
| PG21 | 3/4" | N21610621 | 19.5 | 41.5 | 37.0 | 16.0 | 28.3 | 25 |
| PG29 | 1" | N21611029 | 25.0 | 46.0 | 46.5 | 19.5 | 37.0 | 25 |
| PG36 | 1-1/4" | N21611236 | 33.5 | 55.5 | 53.0 | 20.5 | 47.0 | 15 |
| PG42 | 1-1/2" | N21611442 | 38.5 | 63.2 | 60.0 | 24.5 | 54.0 | 10 |
| PG48 | 2" | N21612048 | 49.5 | 76.0 | 75.0 | 27.0 | 59.3 | 5 |

**不含絕緣內套